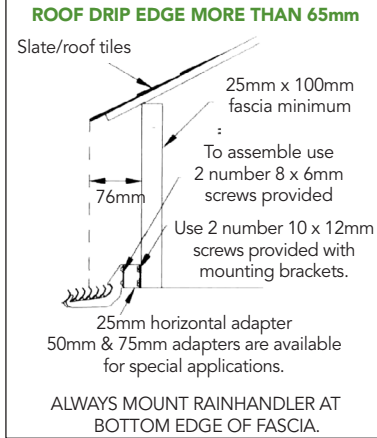
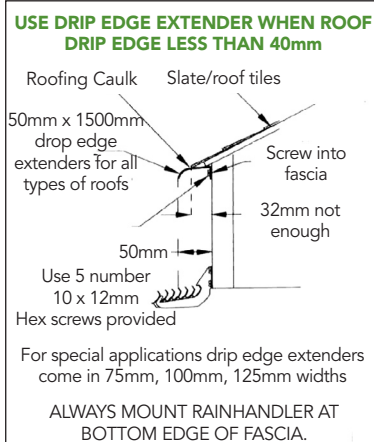


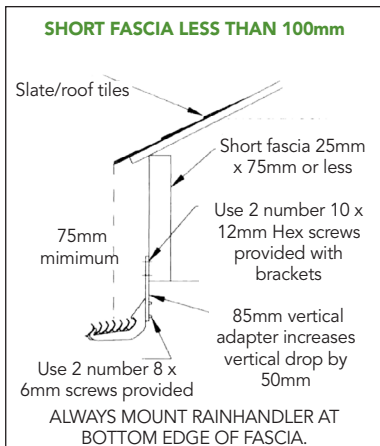
2a



2b



2c



# In a special situation:

## 2a through 3

Adapters may be combined as needed to meet measurement requirements. They should be preassembled with 6mm aluminium screws provided. Place the 6mm screws through the large holes on the first accessory and tap them into the small holes on the second accessory. **DO NOT OVER TIGHTEN.**

### 2a. See Figure 2a.

If your roof's drip edge extends more than 65mm from the fascia, but less than 88mm use a 25mm Horizontal Adapter. From 88mm to 112mm use a 50mm and from 112mm to 137mm use a 75mm, the maximum recommended.

### 2b. See Figure 2b.

If your roof's drip edge extends less than 38mm, you will require a Drip Edge Extender. Fix the 1500mm length into the fascia board, with the screws provided. Run a bead of mastic along the back side of the flange you are screwing into the fascia. Push the Drip Edge Extender up tight against the roof edge and fix. After it is installed, run another bead of mastic where the roof edge meets the Drip Edge Extender.

### 2c. See Figure 2c.

If your fascia board is less than the minimum 25mm x 100mm board or your vertical drop is less than 75mm use the Vertical Adapter, which lowers the Rainhandler 50mm.

### 3. See Figure 3.

Which shows an angled fascia board. Angled fascia adapters can be used when the fascia end cut is square to the rafter pitch rather than a typical vertical (plumb) cut.

### Brackets available:

- 10° - 20° roof pitch
- 20° - 30° roof pitch
- 30° - 40° roof pitch

3

